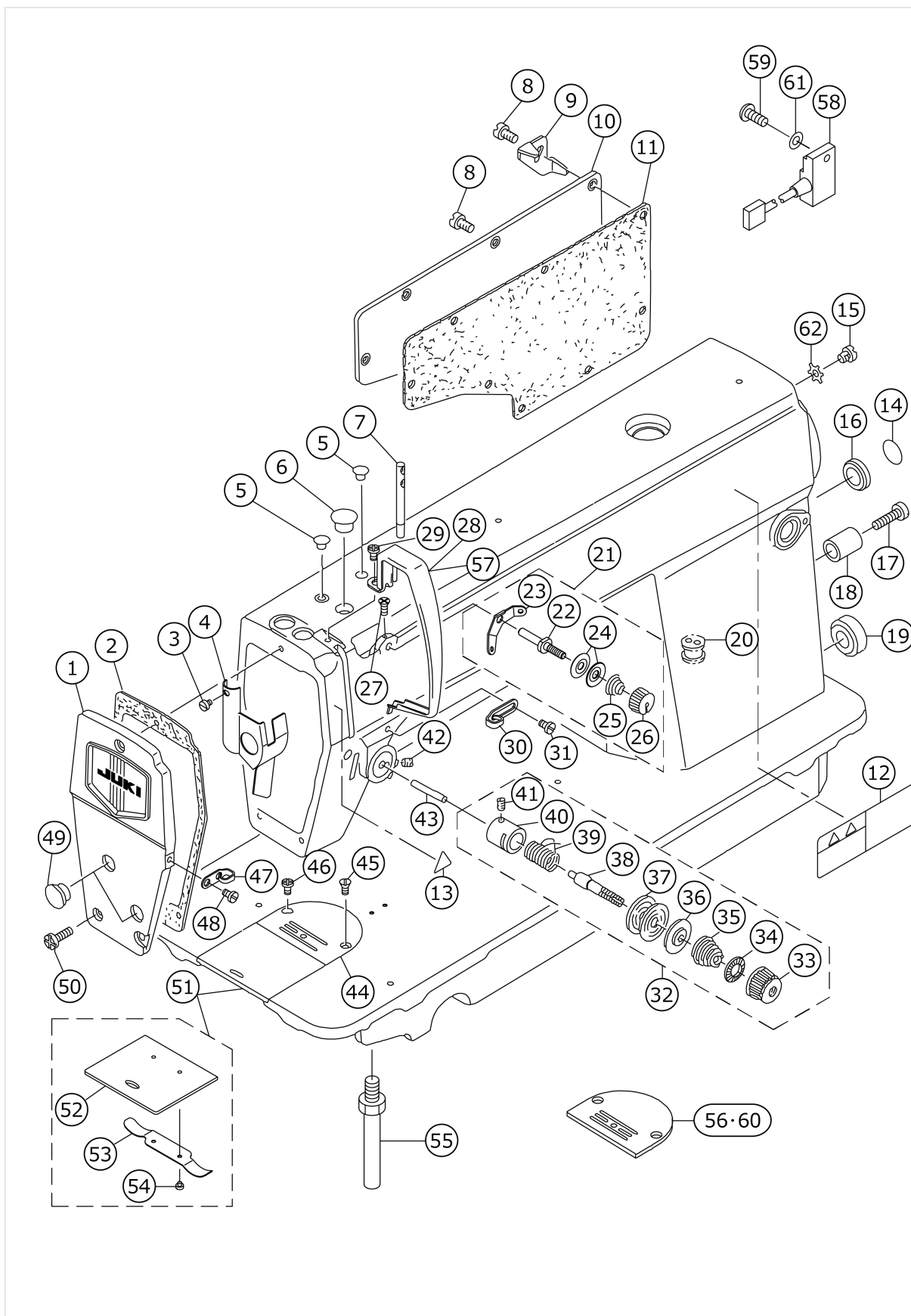


DDL-5556N-7-WB

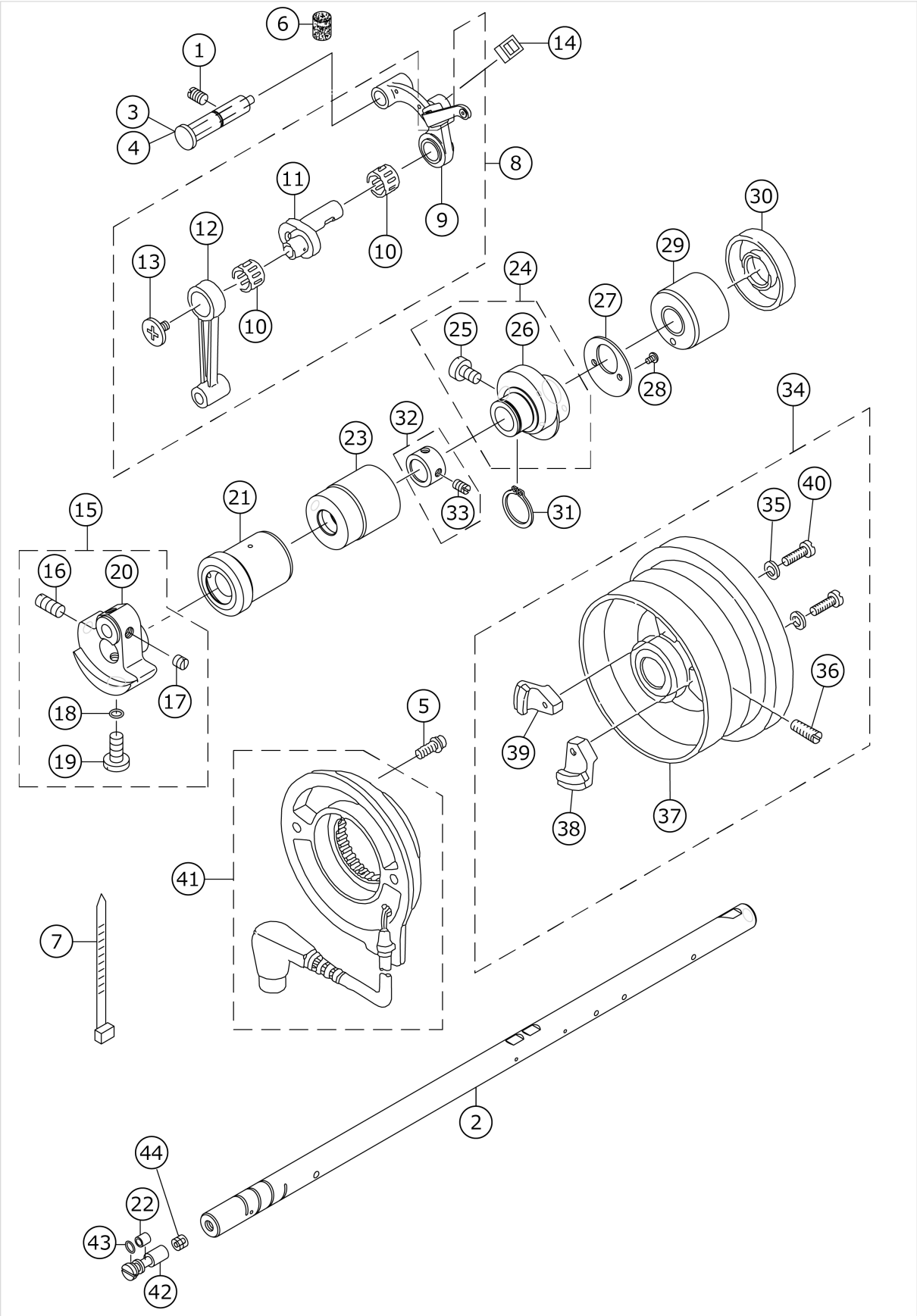
MACHINE FRAME & MISCELLANEOUS COVER COMPONENTS



No.	品番	品名	備考	子部品	消耗品	個数
1	11070802	FACE PLATE				1.00
2	11000304	FACE PLATE GASKET				1.00
3	SS6080410SP	SCREW 1/8-44 L=4				1.00
4	22900757	FACE PLATE OIL SHIELD ASM.				1.00
5	TA0850604R0	RUBBER PLUG				2.00
6	TA1250705R0	RUBBER PLUG				1.00
7	22958300	NEEDLE THREAD GUIDE PIN				1.00
8	SS4120915SP	SCREW 3/16-28 L=9				8.00
9	22954705	CORD FIXING METAL FITTING				1.00
10	22900401	WINDOW PLATE				1.00
11	11003308	GASKET				1.00
12	CM301300001	SAFETY LABEL				1.00
13	CM300200001	ATTENTION SEAL				1.00
14	22901805	GROUND MARK				1.00
15	SS4120615SP	SCREW 3/16-28 L=6				1.00
16	TA2000502R0	RUBBER PLUG				1.00
17	SS6121840SP	SCREW 3/16-28 L=18				1.00
18	11100500	REVERSE FEED LEVER STOPPER				1.00
19	TA2101002R0	RUBBER PLUG				1.00
20	11416203	MAGNET CORD RUBBER				1.00
21	22945463	THREAD TENSION ASM. ,NO.1				1.00
22	22945414	THREAD TENSION POST		*		1.00
23	22945604	THREAD TENSION GUIDE		*		1.00
24	22945802	THREAD TENSION DISK		*		2.00
25	22945505	THREAD TENSION SPRING		*		1.00
26	22945703	THREAD TENSION NUT		*		1.00
27	SS4120615SP	SCREW 3/16-28 L=6				1.00
28	22900609	THREAD TAKE-UP LEVER COVER				1.00
29	SS4120615SP	SCREW 3/16-28 L=6				1.00
30	22920508	ARM THREAD GUIDE A				1.00
31	22921001	SCREW				1.00
32	22945356	THREAD TENSION ASM.				1.00
33	22921308	THREAD TENSION NUT		*		1.00
34	22921407	ROTATION STOPPER		*		1.00
35	22921704	THREAD TENSION SPRING, A		*		1.00
36	22921803	DISK STOPPER		*		1.00
37	22921506	THREAD TENSION DISK		*		2.00
38	22921209	THREAD TENSION POST		*		1.00
39	22921605	THREAD TAKE-UP SPRING		*		1.00
40	22945307	THREAD TENSION POST BASE		*		1.00
41	SS8090670SP	SCREW 9/64-40 L= 5.5		*		1.00
42	SS8150710TP	SCREW 15/64-28 L=7				1.00
43	22920904	PIN				1.00
44	11417615	THROAT PLATE A	FOR DDL-5556NC-7			1.00
45	SS2110920TP	SCREW 11/64-40 L=8.5				1.00
46	SS2110915SP	SCREW 11/64-40 L=8.5				1.00
47	22920607	ARM THREAD GUIDE B				1.00
48	SS6110610TP	SCREW 11/64-40 L=6				1.00
49	TA1250406R0	RUBBER PLUG D=12.5 L=4				2.00

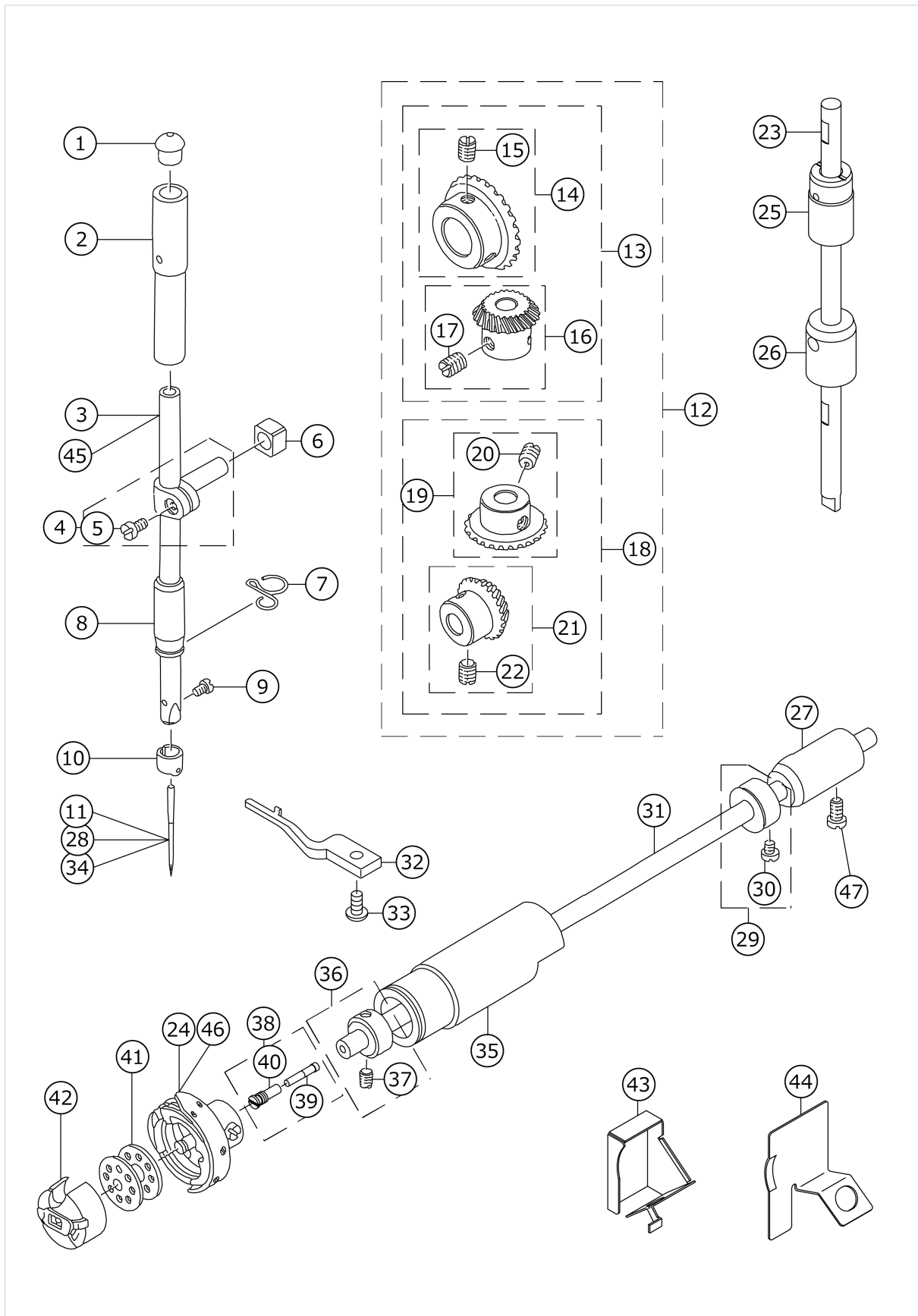
50	SS4120915SP	SCREW 3/16-28 L=9				3.00
51	22901250	SLIDE PLATE ASM.				1.00
52	22901201	SLIDE PLATE		*		1.00
53	22901300	SLIDE PLATE SPRING		*		1.00
54	SS6060210SP	SCREW 3/32-56 L= 1.9		*		2.00
55	22901003	BED SCREW STUD				4.00
56	B110901210B	THROAT PLATE (I)	FOR EXPORT			1.00
57	11415205	THREAD TAKE-UP LEVER COVER(JE)	FOR JE			1.00
58	M6010350AAA	RESISTANCE PACK	EXCEPT JE			1.00
59	SS4121215SP	SCREW 3/16-28 L=12				1.00
60	11497203	THROAT PLATE	FOR DDL-5556ND-7			1.00
61	WP0501016SD	WASHER 5X10.5X1				1.00
62	WT0530002KS	TOOTHED WASHER D=5.3				1.00

MAIN SHAFT COMPONENTS



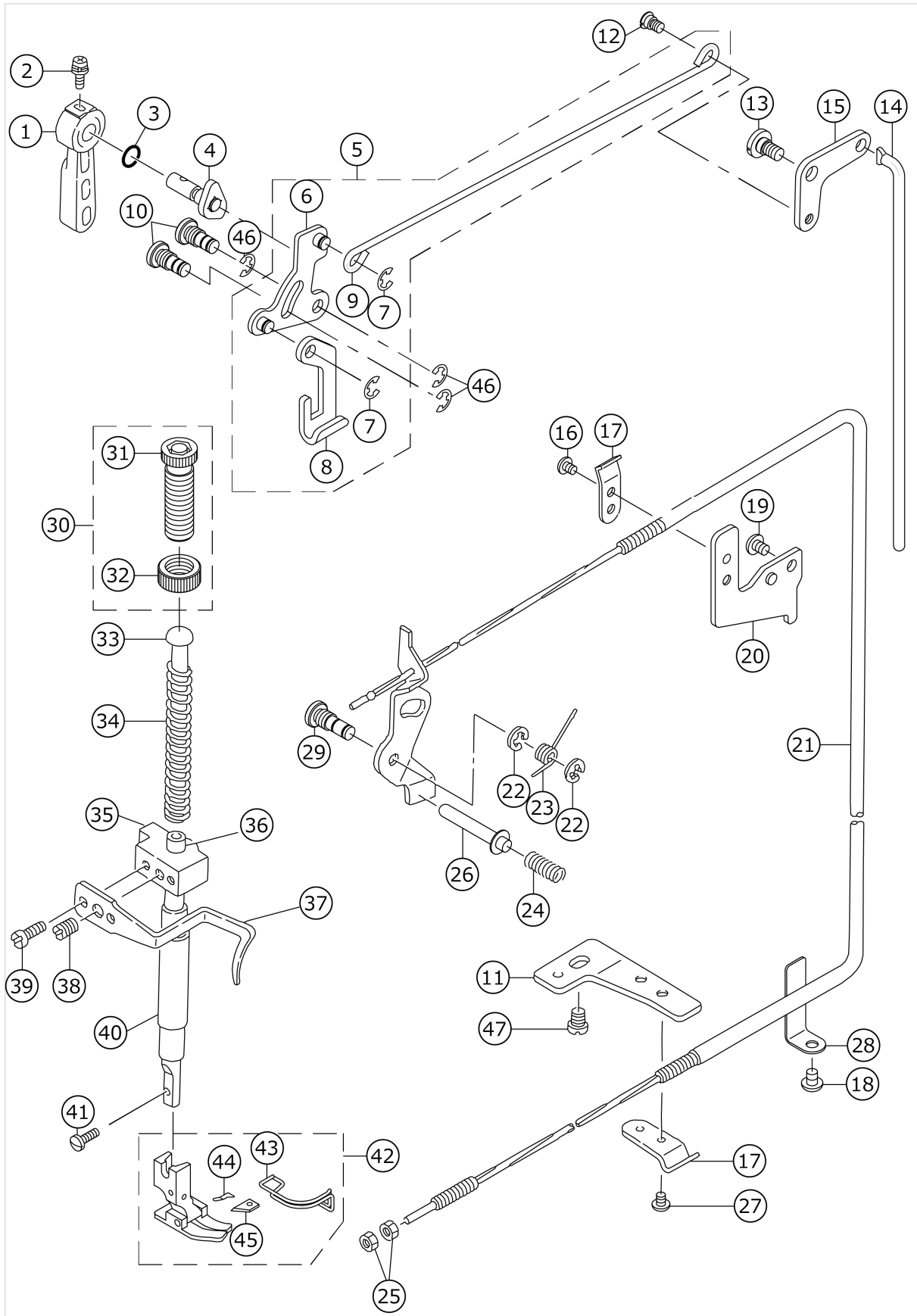
No.	品番	品名	備考	子部品	消耗品	個数
1	SS8151150TP	SCREW 15/64-28 L=10.5				1.00
2	22903009	MAIN SHAFT				1.00
3	11039351	CRANK SHAFT ASM.	FOR USE IN JAPAN			1.00
4	11017357	THREAD TAKE-UP CRANK SHAFT ASM				1.00
5	SL4051001MZ	SCREW M5 L=9.6				2.00
6	11039203	FELT	FOR USE IN JAPAN			1.00
7	HX000430000	CLIP				1.00
8	11039070	THREAD TAKE-UP LEVER ASM.				1.00
9	11039062	THREAD TAKE-UP LEVER ASM.		*		1.00
10	B1905541B00	NEEDLE BEARING	SELECTIVE PART(A ~ D)	*		2.00
11	11005204	NEEDLE BAR CRANK		*		1.00
12	B1408552000	NEEDLE BAR CRANK ROD		*		1.00
13	B1903552000	LEFT SCREW		*		1.00
14	22919203	OIL PROTECTING RUBBER				1.00
15	22903157	COUNTER WEIGHT ASM.				1.00
16	SS8681650TP	SCREW 9/32-28 L=16		*		1.00
17	SS8660610TP	SCREW 1/4-40 L=6		*		2.00
18	RO044240100	RUBBER RING		*		1.00
19	SS7681650TP	SCREW 9/32-28 L=16		*		1.00
20	22903108	COUNTER WEIGHT		*		1.00
21	22903207	MAIN SHAFT BUSHING, FRONT				1.00
22	B1215552000	OIL ADJUSTING COLLAR				1.00
23	22903306	BUSHING,INTERMEDIATE				1.00
24	22910053	FEED DRIVE ECCENTRIC CAM ASM.				1.00
25	SS6661110SP	SCREW 1/4-40 L=11		*		2.00
26	22910004	FEED DRIVE ECCENTRIC CAM		*		1.00
27	22910103	THRUST COLLAR				1.00
28	SS4090615SP	SCREW 9/64-40 L=6				2.00
29	11002409	MAIN SHAFT BUSHING, REAR				1.00
30	11002508	OIL SEAL				1.00
31	RC1850001KP	SNAP RING 18.5				1.00
32	22904155	MAIN SHAFT THRUST COLLAR ASM.				1.00
33	SS8660610TP	SCREW 1/4-40 L=6		*		2.00
34	11416963	HAND WHEEL ASM.				1.00
35	WP0450801SD	WASHER 4.5X10X0.8		*		2.00
36	SS8151550SP	SCREW 15/64-28 L=15		*		2.00
37	11416955	HAND WHEEL ASM.		*		1.00
38	M40071100AA	MAGNET FITTING BASE A ASM.		*		1.00
39	M40071100AB	MAGNET FITTING BASE B ASM.		*		1.00
40	SS6111210SP	SCREW 11/64-40 L=12		*		2.00
41	22937965	DYNAMO STATOR ASM.				1.00
42	22903900	ADJUSTING PIN				1.00
43	RO029180100	RUBBER RING				1.00
44	11002904	ROLLER FELT				1.00

NEEDLE BAR , HOOK DRIVING SHAFT & UPRIGHT SHAFT COMPONENTS



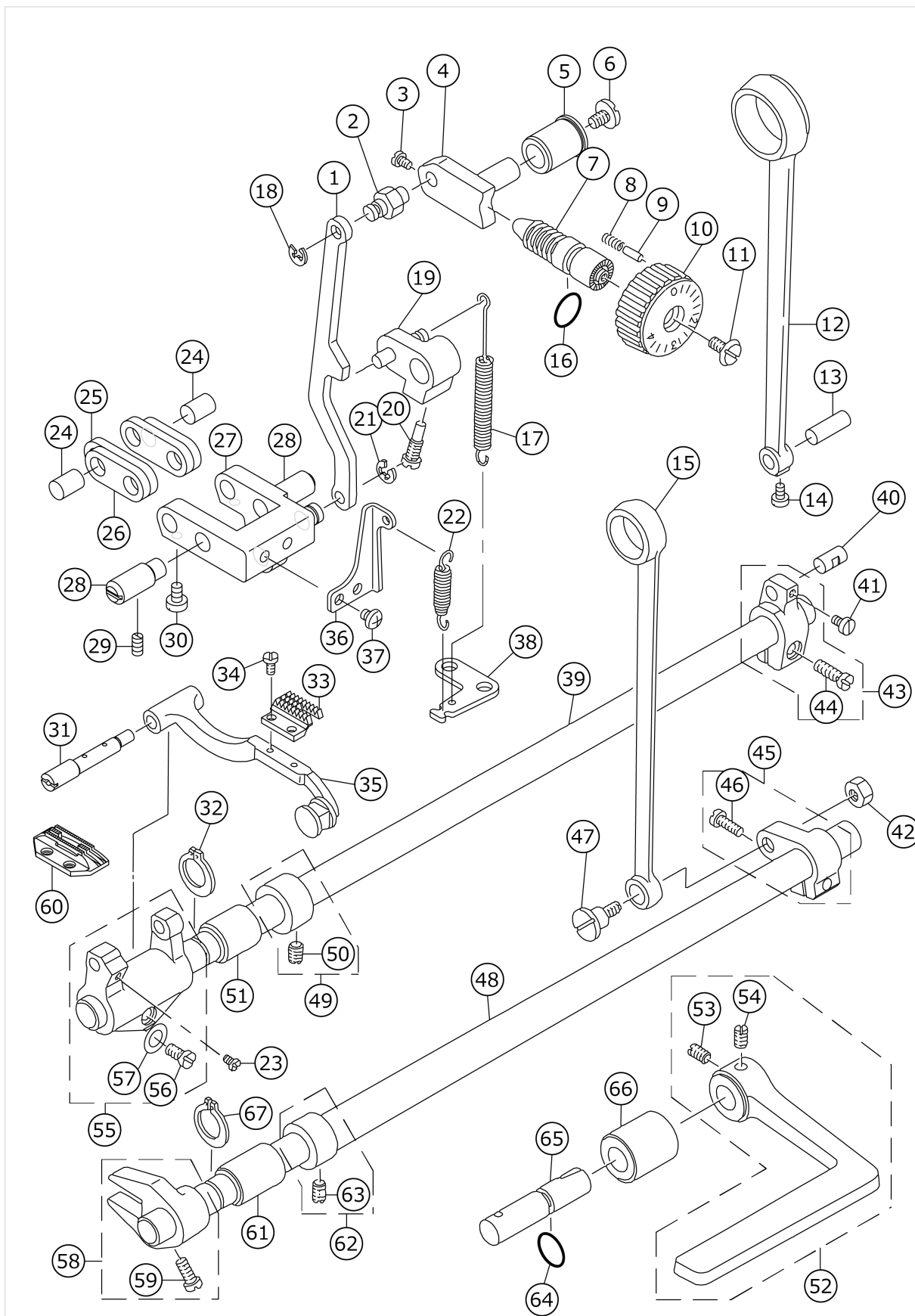
No.	品番	品名	備考	子部品	消耗品	個数
1	22901409	NEEDLE BAR UPPER BUSH CAP				1.00
2	B1402552000A	NEEDLE BAR BUSHING, UPPER				1.00
3	11417102	NEEDLE BAR A				1.00
4	22906457	NEEDLE BAR HOLDER ASM.				1.00
5	SS6090670TP	SCREW 9/64-40 L=6		*		1.00
6	B1414555000	SLIDE BLOCK				1.00
7	22920805	NEEDLE BAR THREAD GUIDE				1.00
8	22906200	NEEDLE BAR BUSHING, LOWER				1.00
9	SS7080510TP	SCREW 1/8-44 L=4.5				1.00
10	22906309	NEEDLE BAR THREAD GUIDE				1.00
11	MDB100B1100	NEEDLE DBX1 #11				1.00
12	B13061550C0	GEAR & PINION ASM.				1.00
13	B13061550B0	GEAR & PINION ASM., UPPER		*		1.00
14	B13050120A0	GEAR ASM.		*		1.00
15	SS8660810TP	SCREW 1/4-40 L=8		*		2.00
16	B13061550A0	PINION ASM.		*		1.00
17	SS8660810TP	SCREW 1/4-40 L=8		*		2.00
18	B13071550B0	GEAR & PINION ASM., LOWER		*		1.00
19	B13071550A0	GEAR ASM. LARGE		*		1.00
20	SS8660810TP	SCREW 1/4-40 L=8		*		2.00
21	B13081550A0	PINION ASM.		*		1.00
22	SS8660810TP	SCREW 1/4-40 L=8		*		2.00
23	22905004	UPRIGHT SHAFT				1.00
24	11038650	HOOK ASM.	FOR USE IN JAPAN			1.00
25	22905103	UPRIGHT SHAFT BUSHING, UPPER				1.00
26	11004207	UPRIGHT SHAFT BUSHING, LOWER				1.00
27	22916308	HOOK DRIVING SHAFT BUSH, REAR				1.00
28	MC200500750	NEEDLE 134 NM75	FOR JE			1.00
29	CS079101ASH	THRUST COLLAR ASM. D=7.94 W=10				1.00
30	SS6110420TP	SCREW 11/64-40 L=4.8		*		2.00
31	22916001	HOOK DRIVING SHAFT				1.00
32	11038809	BOBBIN CASE HOLDER				1.00
33	SS4110915TP	SCREW 11/64-40 L=9				1.00
34	MDP500B1400	NEEDLE DPX5 #14	FOR JO			1.00
35	11418308	MAIN SHAFT BUSHING				1.00
36	CS079073ASH	THRUST COLLAR ASM.				1.00
37	SS8110410TP	SCREW 11/64-40 L= 3.5		*		2.00
38	22916555	OIL SEAL SCREW ASM.				1.00
39	11015906	OIL WICK		*		1.00
40	B1808552000	OIL SEAL SCREW				1.00
41	22932909	BOBBIN				1.00
42	11038759	BOBBIN CASE ASM.				1.00
43	11422607	OIL SHIELD				1.00
44	11422508	OIL SHIELD, A				1.00
45	11417201	NEEDLE BAR B	FOR JE & JO			1.00
46	11141355	HOOK ASM.				1.00
47	SS4120915SP	SCREW 3/16-28 L=9				1.00

HAND LIFTER COMPONENTS



No.	品番	品名	備考	子部品	消耗品	個数
1	22907802	HAND LIFTER				1.00
2	B1521555000	SCREW				1.00
3	RO037180100	RUBBER RING				1.00
4	22908552	HAND LIFTER CAM ASM.				1.00
5	22908354	KNEE LIFTING CROSS ROD ASM.				1.00
6	22908156	LIFTING LINK ASM.		*		1.00
7	RE0500000K0	E-RING		*		2.00
8	22908008	LIFTING PLATE		*		1.00
9	22908305	KNEE LIFTER SIDE ROD		*		1.00
10	22908701	LINK SHAFT				2.00
11	22944706	WIRE PRESSER BASE, LOWER				1.00
12	22908909	HINGE SCREW				1.00
13	SD0720331SP	HINGE SCREW D= 7.24 H= 3.3				1.00
14	22909006	KNEE LIFTER CONNECTING ROD				1.00
15	22908800	KNEE LIFTER LINK				1.00
16	SS4110515SP	SCREW 11/64-40 L=5				1.00
17	22944508	WIRE PRESSER A				2.00
18	SS4120615SP	SCREW 3/16-28 L=6				1.00
19	SS4120615SP	SCREW 3/16-28 L=6				1.00
20	22944607	WIRE PRESSER BASE, UPPER				1.00
21	11045952	THREAD TENSION RELEASE WIRE				1.00
22	RE0500000K0	E-RING				2.00
23	11018207	TENSION RELEASE RETURN SPRING				1.00
24	22920409	THREAD RELEASE PIN SPRING				1.00
25	NS6620310SP	NUT 3/16-32				2.00
26	22920300	THREAD RELEASE SUPPORTING PIN				1.00
27	SS4110515SP	SCREW 11/64-40 L=5				1.00
28	22945109	WIRE CABLE SUPPORT				1.00
29	22920102	TENSION RELEASE SHAFT				1.00
30	22907554	PRESSER SPRING REG NUT ASM.				1.00
31	22907505	PRESSER SPRING REGULATOR		*		1.00
32	22907604	PRESSER SPRING REGULATOR NUT		*		1.00
33	22907703	PRESSER GUIDE BAR				1.00
34	22907406	PRESSER SPRING				1.00
35	11006004	PRESSER BAR GUIDE BRACKET				1.00
36	40017805	PRESSER BAR				1.00
37	22907307	THREAD GUIDE				1.00
38	SS8660810TP	SCREW 1/4-40 L=8				1.00
39	SS6090910SP	SCREW 9/64-40 L=9				2.00
40	40060989	PRESSER BAR BUSHING LOWER				1.00
41	SS7091110TP	SCREW 9/64-40 L=10.5				1.00
42	11434065	PRESSER FOOT ASM.				1.00
43	D1421555B00	FINGER GUARD		*		1.00
44	11434313	FIXING SPRING		*		1.00
45	11434206	THREAD CUTTER KNIFE		*		1.00
46	RE0500000K0	E-RING				3.00
47	SS4150915SP	SCREW 15/64-28 L=9				1.00

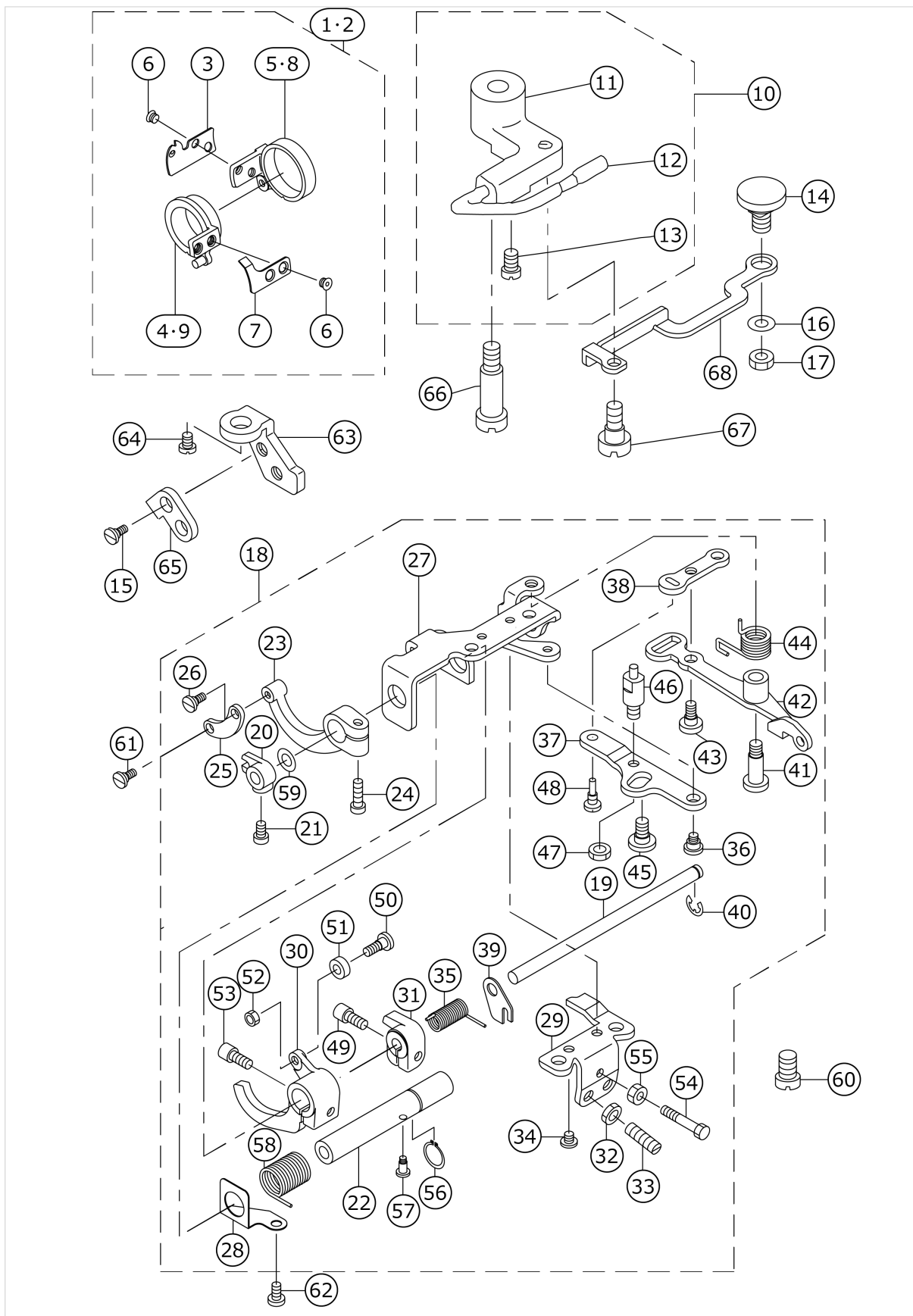
FEED MECHANISM COMPONENTS



No.	品番	品名	備考	子部品	消耗品	個数
1	22941108	FEED ADJUST ROD				1.00
2	22911507	WALKING FOOT PIN C				1.00
3	SS6090670TP	SCREW 9/64-40 L=6				2.00
4	22911606	FEED REGULATOR				1.00
5	11009800	FEED REGULATOR BUSHING				1.00
6	SS7120770SH	SCREW 3/16-28 L=7				1.00
7	22911804	FEED REGULATOR SCREW				1.00
8	22912109	FEED REGULATOR PIN SPRING				1.00
9	22912000	FEED REGULATOR PIN				1.00
10	22940506	FEED DIAL				1.00
11	SS6121860SP	SCREW 3/16-28 L=18				1.00
12	11008208	ROCKER SHAFT CONNECTING ROD				1.00
13	22911101	WALKING FOOT PIN C				1.00
14	SS6090620TP	SCREW				1.00
15	11014008	CONNECTING ROD				1.00
16	RO092270200	RUBBER RING				1.00
17	11010303	FEED REVERSE SPRING				1.00
18	RE0500000K0	E-RING				1.00
19	11010154	FEED REVERSE ARM ASM.				1.00
20	11010410	FEED REVERSE ARM SCREW				1.00
21	RE0500000K0	E-RING				1.00
22	11037405	SPRING				1.00
23	SS7110740TP	SCREW 11/64-40 L=7				1.00
24	22910905	WALKING FOOT PIN A				2.00
25	11008703	WALKING FOOT LINK				2.00
26	11008604	CONNECTING LINK A				2.00
27	22940951	FEED ADJUST LINK ASM.				1.00
28	22910806	ADJUST LINK FULCRUM SHAFT A				2.00
29	SS8150710TP	SCREW 15/64-28 L=7				2.00
30	SS6090620TP	SCREW				2.00
31	22940803	FEED BAR SHAFT				1.00
32	RC0150001KP	RETAINING RING 13.8				1.00
33	11417714	FEED DOG A	FOR DDL-5556NC-7			1.00
34	SS4080620TP	SCREW 1/8-44 L=6				2.00
35	22940753	FEED BAR ASM.				1.00
36	22941306	REGULATOR LINK SPRING HOOK				1.00
37	SS4110515SP	SCREW 11/64-40 L=5				2.00
38	22913701	FEED SPRING HOOK				1.00
39	22912901	FEED ROCKER SHAFT				1.00
40	22911002	WALKING FOOT PIN B				1.00
41	SS6090620TP	SCREW				1.00
42	NS6680410SP	NUT 9/32-28				1.00
43	22910350	FEED ROCKER SHAFT CRANK ASM.				1.00
44	SS6121610SP	SCREW 3/16-28 L=15.5		*		1.00
45	22915151	FEED ARM COMPL.				1.00
46	SS7121610SP	SCREW 3/16-28 L=15.5		*		1.00
47	SD1000801SH	HINGE SCREW D=10 H=8				1.00
48	22915201	FEED DRIVING SHAFT				1.00
49	22904155	MAIN SHAFT THRUST COLLAR ASM.				1.00

50	SS8660610TP	SCREW 1/4-40 L=6		*		2.00
51	22913008	FEED ROCKER SHAFT BUSHING				1.00
52	22912752	FEED LEVER ASM.				1.00
53	SM8061010TP	SCREW		*		1.00
54	SM8061050TP	SCREW		*		1.00
55	22940654	FEED ROCKER ASM.				1.00
56	SS7121410TP	SCREW 3/16-28 L=14		*		1.00
57	WP0480856SP	WASHER 4.8X8.4X0.8		*		1.00
58	22915359	DRIVING SHAFT CRANK ASM.				1.00
59	SS7111120SP	SCREW 11/64-40 L=10.5		*		1.00
60	B1613012I00	FEED DOG I	FOR EXPORT & D DL-5556ND-7			1.00
61	11010907	FEED ROCKER SHAFT BUSHING				1.00
62	22904155	MAIN SHAFT THRUST COLLAR ASM.				1.00
63	SS8660610TP	SCREW 1/4-40 L=6		*		2.00
64	RO078190100	RUBBER RING				1.00
65	22912604	FEED REVERSE SHAFT				1.00
66	11010709	FEED LEVER METAL				1.00
67	RC0150001KP	RETAINING RING 13.8				1.00

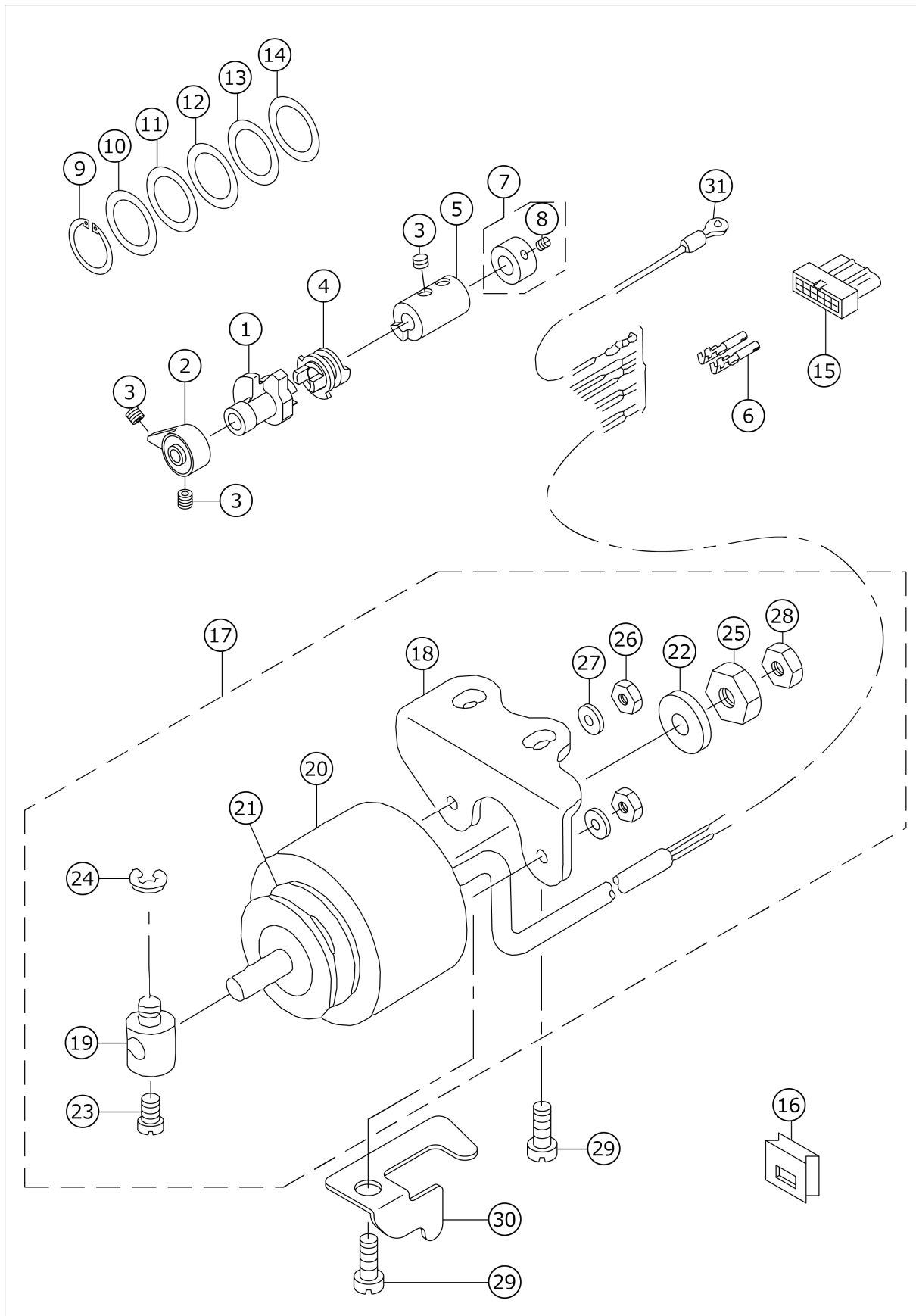
THREAD TRIMMER COMPONENTS (1)



No.	品番	品名	備考	子部品	消耗品	個数
1	11420155	KNIFE UNIT	FOR EXPORT			1.00
2	11497153	KNIFE UNIT	FOR DDL-5556NC -7,DDL-5556ND- 7			1.00
3	11420205	LOOP SPREADING KNIFE		*		1.00
4	11420353	KNIFE BASE ASM.		*		1.00
5	11420502	LOOP SPREADING BASE		*		1.00
6	11420601	SCREW		*		4.00
7	11420106	THREAD CUTTER KNIFE		*		1.00
8	11497104	THREAD SPREADING BASE	FOR DDL-5556NC -7,DDL-5556ND- 7	*		1.00
9	11497054	KNIFE BASE ASM.	FOR DDL-5556NC -7,DDL-5556ND- 7	*		1.00
10	11422250	PICKER ARM				1.00
11	11422201	PICKER ARM		*		1.00
12	22950356	HOOK THREAD PRESSER ASM.		*		1.00
13	SS6090510TP	SCREW 9/64-40 L= 5.0		*		2.00
14	22950000	PICKER LINK PIN				1.00
15	SS4090515SP	SCREW 9/64-40 L=5				2.00
16	WP0621016SH	WASHER				1.00
17	NS6150430SP	NUT 15/64-28				1.00
18	11420759	THREAD CUTTER DRIVING UNIT				1.00
19	11420700	THREAD CUTTER KNIFE SHAFT		*		1.00
20	11421500	KNIFE DRIVING ARM		*		1.00
21	SS7110740TP	SCREW 11/64-40 L=7		*		1.00
22	11420809	LOOP SPREADING SHAFT		*		1.00
23	11421302	LOOP SPREADING ARM		*		1.00
24	SS7111410TP	SCREW 11/64-40 L=14		*		1.00
25	11421401	LOOP SPREADING CONNECTING LINK		*		1.00
26	SD0500251SP	HINGE SCREW D= 5 H= 2.5		*		1.00
27	11420908	BASE PLATE		*		1.00
28	11421807	GREASE RETAINING PLATE		*		1.00
29	11421005	STOPPER PLATE		*		1.00
30	11421104	LOOP SPREADING ARM		*		1.00
31	11421203	KNIFE DRIVING STITCH TONGUE		*		1.00
32	NS6110430SP	NUT 11/64-40		*		2.00
33	SS8152030SP	SCREW 15/64-28 L=20		*		2.00
34	SS6110480SP	SCREW 11/64-40 L=4.3		*		2.00
35	D2423530D00	SPRING		*		1.00
36	SD0640321TP	HINGE SCREW D=6.35 H=3.2		*		1.00
37	11421906	CLUTCH PLATE		*		1.00
38	11422102	CLUTCH LINK		*		1.00
39	11421708	SPRING HOOK		*		1.00
40	RE0500000K0	E-RING		*		1.00
41	SD0701511TP	HING SCREW D=7 H=15.1		*		1.00
42	11422052	TENSION RELEASING LEVER ASM.		*		1.00
43	SD0600361SP	HINGE SCREW D=6 H=3.6		*		1.00
44	11353505	SPRING		*		1.00

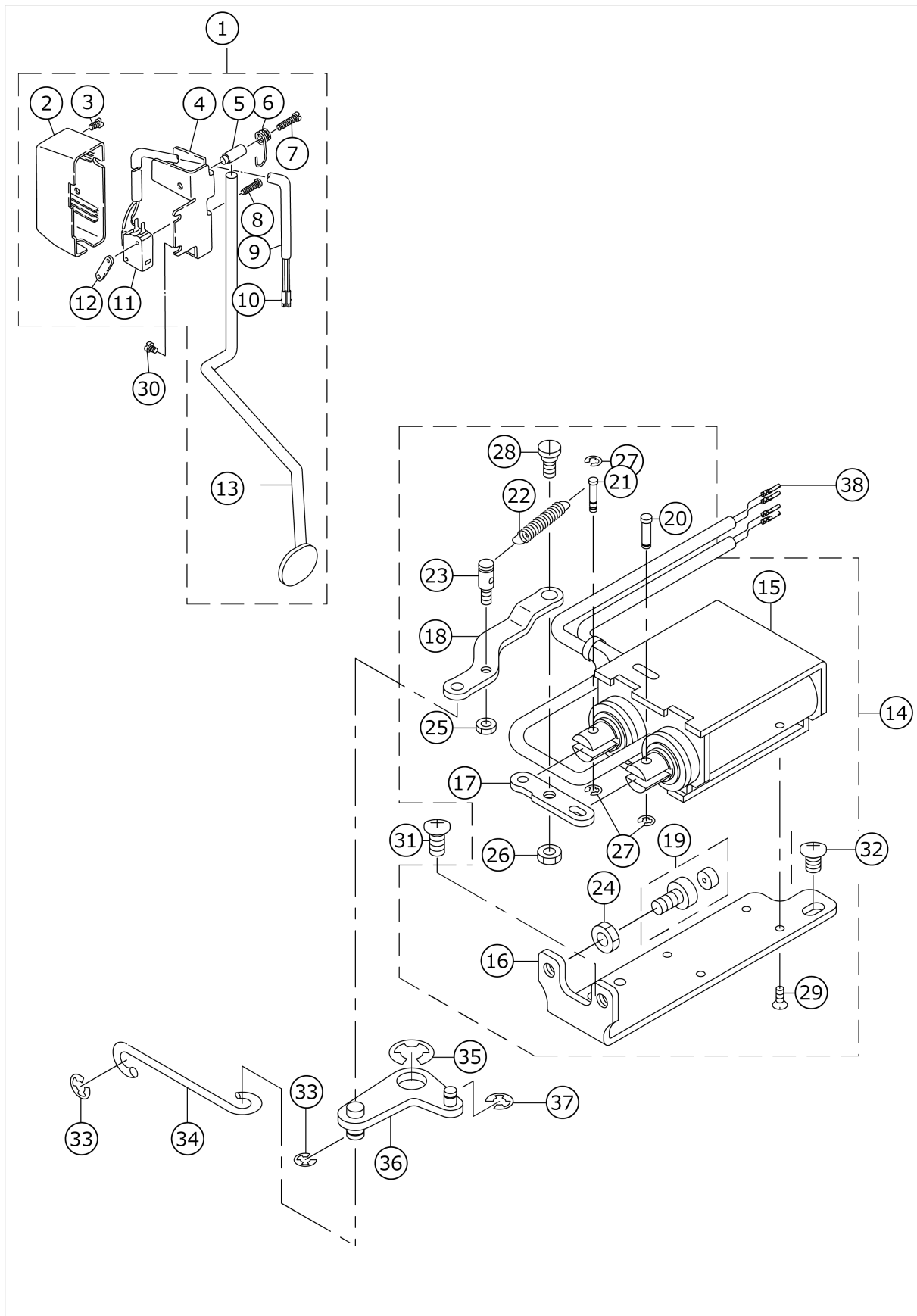
45	SD0720331SP	HINGE SCREW D= 7.24 H= 3.3		*		1.00
46	D2420530D00	CLUTCH DRIVING PIN		*		1.00
47	NS6150310SP	NUT 15/64-28		*		1.00
48	11352804	SCREW PIN, B		*		1.00
49	SS6621212TP	SCREW 3/16-32 L=12.0		*		1.00
50	SD0500402SP	HINGE SCREW D= 5 H= 4		*		1.00
51	D2422530D00	CAM ROLLER		*		1.00
52	NS6110310SP	NUT 11/64-40		*		1.00
53	SS6621212TP	SCREW 3/16-32 L=12.0		*		1.00
54	SS9112420TP	SCREW 11/64-40 L=24		*		1.00
55	NS6110420SP	NUT 11/64-40		*		1.00
56	RC1200001KP	C-SHAPED SNAP RING		*		1.00
57	SD0380551SL	HINGE SCREW D= 3.80 H= 5.5		*		1.00
58	11421609	LOOP SPREAD SPRING		*		1.00
59	WP0651056SH	WASHER 6.5X11X1		*		1.00
60	SS9151120CP	SCREW 15/64-28 L=11				2.00
61	SD0500251SP	HINGE SCREW D= 5 H= 2.5				1.00
62	SS7110840SP	SCREW 11/64-40 L=7.8				1.00
63	11422805	STOPPER BASE				1.00
64	SS4110715SP	SCREW 11/64-40 L=7				1.00
65	11422904	STOPPER PLATE				1.00
66	SD0641452TP	HINGE SCREW D=6.35 H=14.5				1.00
67	SD0630275SP	HINGE SCREW D= 6.35 H= 2.7				1.00
68	11420007	PICKER LINK				1.00

THREAD TRIMMER COMPONENTS (2)



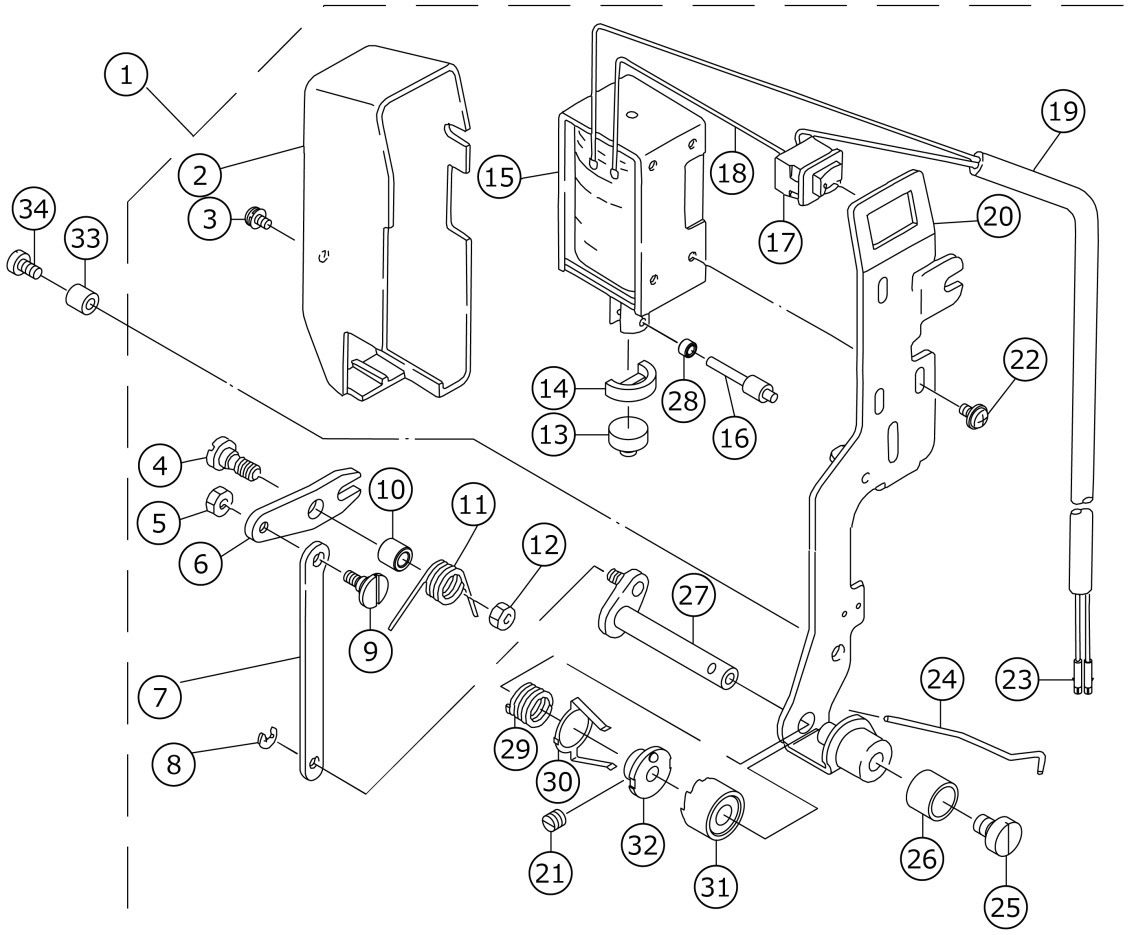
No.	品番	品名	備考	子部品	消耗品	個数
1	11419108	THREAD CUTTER CAM				1.00
2	11419405	SAFETY CAM				1.00
3	SS8660612TP	SCREW 1/4-40 L=6				4.00
4	11419306	CLUTCH				1.00
5	11419207	THREAD CUTTER DRIVING COLLAR				1.00
6	HK03464000B	PIN CONTACT				2.00
7	22950950	CAM COLLAR ASM.				1.00
8	SS8110520TP	SCREW 11/64-40 L= 4.5		*		1.00
9	RC2651218KP	RETAINING RING				1.00
10	11419603	THRUST COLLAR, B	SELECTIVE PARTS			1.00
11	11419504	THRUST COLLAR, A	SELECTIVE PARTS			1.00
12	11419702	THRUST COLLAR, C	SELECTIVE PARTS			1.00
13	11419801	THRUST COLLAR, D	SELECTIVE PARTS			1.00
14	11419900	THRUST COLLAR, E	SELECTIVE PARTS			1.00
15	HK034610140	HOUSING 14P				1.00
16	11345600	OIL RUBBER				1.00
17	11496353	SOLENOID UNIT				1.00
18	11422300	SOLENOID BASE		*		1.00
19	22951008	SOLENOID PIN		*		1.00
20	11043908	THREAD TRIMMER SOLENOID		*		1.00
21	11043205	SOLENOID RUBBER A		*		1.00
22	11043304	SOLENOID RUBBER		*		1.00
23	SS6110710TP	SCREW 11/64-40 L= 6.5		*		1.00
24	RE0500000K0	E-RING		*		1.00
25	NS6660410SH	NUT		*		1.00
26	NM6040000SN	NUT M4		*		2.00
27	WP0450000SD	WASHER 4.5X8X0.5		*		2.00
28	NS6660430SP	NUT 1/4-40		*		1.00
29	SS4151215SP	SCREW 15/64-28 L=12				2.00
30	22962708	TUBE HOLDER, LOWER				1.00
31	22951552	GROUND WIRE ASM.				1.00

AUTOMATIC REVERSE FEED COMPONENTS



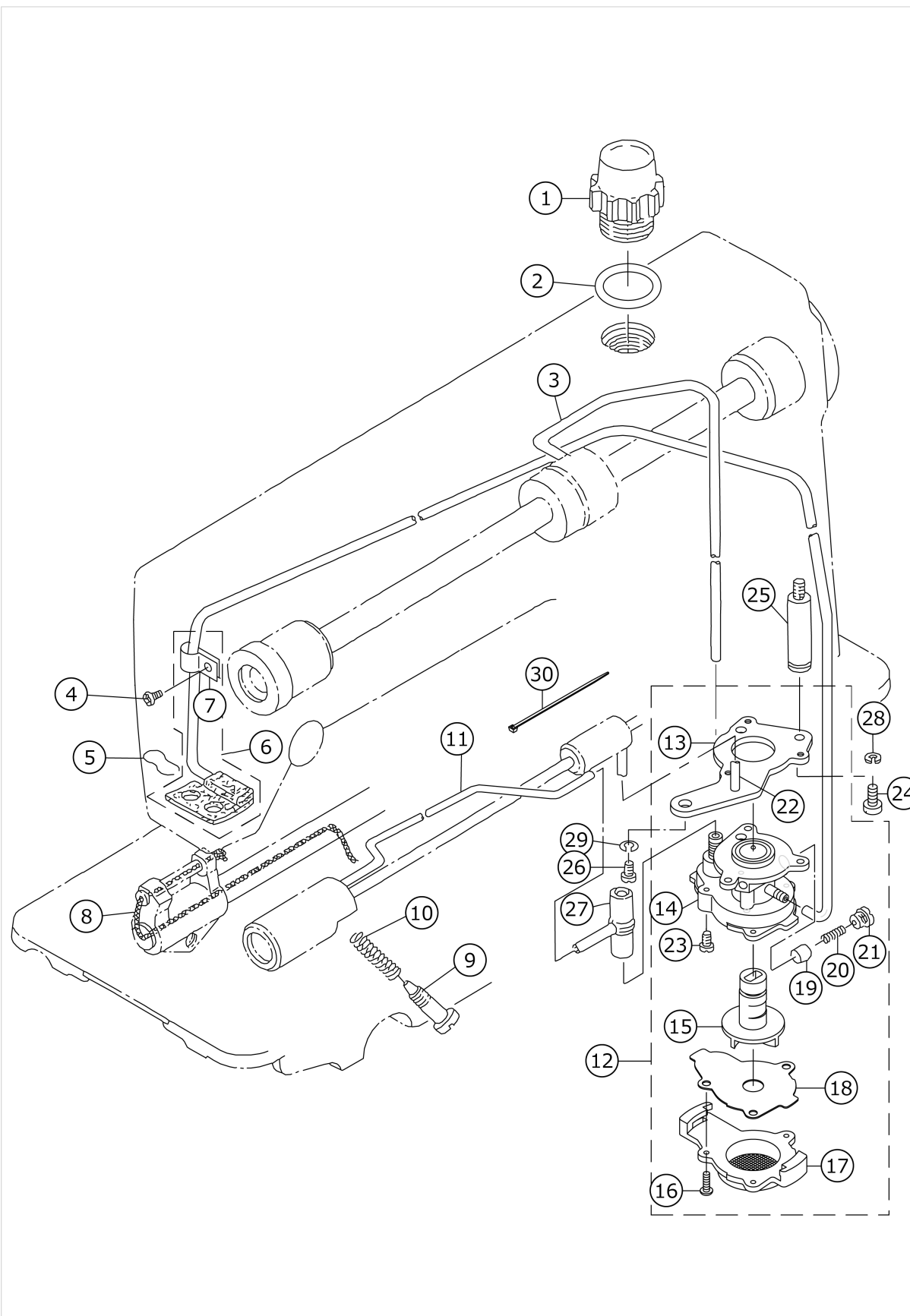
No.	品番	品名	備考	子部品	消耗品	個数
1	11496551	REVERSE FEED SWITCH ASM.				1.00
2	22954606	REVERSE FEED SWITCH COVER		*		1.00
3	SM4040655SP	SCREW M4 L=6		*		1.00
4	22954101	REVERSE FEED SWITCH BASE		*		1.00
5	22954200	REVERSE FEED SWITCH SHAFT		*		1.00
6	22954309	REVERSE FEED SWITCH SPRING		*		1.00
7	SM4041655SP	SCREW M4 L=16		*		1.00
8	SM4031501SC	SCREW M3 L=15		*		2.00
9	HW500070000	2-CORE CABTYRE CORD		*		1.40
10	HK03464000B	PIN CONTACT		*		2.00
11	HA001900000	MICROSWITCH		*		1.00
12	11102308	MICRO SWITCH PLATE		*		1.00
13	11424652	REVERSE FEED SWITCH LEVER ASM.		*		1.00
14	11496460	TWIN SOLENOID UNIT				1.00
15	11496452	TWIN SOLENOID ASM.		*		1.00
16	11423605	TWIN SOLENOID BRACKET		*		1.00
17	11423704	PLUNGER LINK		*		1.00
18	11423803	CONNECTOR LINK		*		1.00
19	11423951	LIMITER ASM.		*		1.00
20	11424009	PLUNGER PIN		*		1.00
21	11424108	PLUNGER PIN, LEFT		*		1.00
22	11424306	LOCK SPRING		*		1.00
23	11424405	LOCK SPRING HOOK		*		1.00
24	NM6060003SC	NUT M6		*		1.00
25	NM6040003SC	NUT M4		*		1.00
26	NS6620310SP	NUT 3/16-32		*		1.00
27	RE0300000KP	E-RING		*		3.00
28	SD0640323TP	HINGE SCREW D= 6.35 H= 3.2		*		1.00
29	SM1030601SA	SCREW M3 L=6		*		4.00
30	SS4120915SP	SCREW 3/16-28 L=9				1.00
31	SS4151215SP	SCREW 15/64-28 L=12				1.00
32	SS4150915SP	SCREW 15/64-28 L=9				1.00
33	RE0500000KP	E-RING 5				2.00
34	11101300	REVERSE FEED CONNECTING SHAFT				1.00
35	RE0900000K0	E-RING 9				1.00
36	22953657	AUTO-BACK ARM ASM.				1.00
37	RE0400000KP	E-RING 4				1.00
38	HK03464000B	PIN CONTACT				4.00

WIPER COMPONENTS



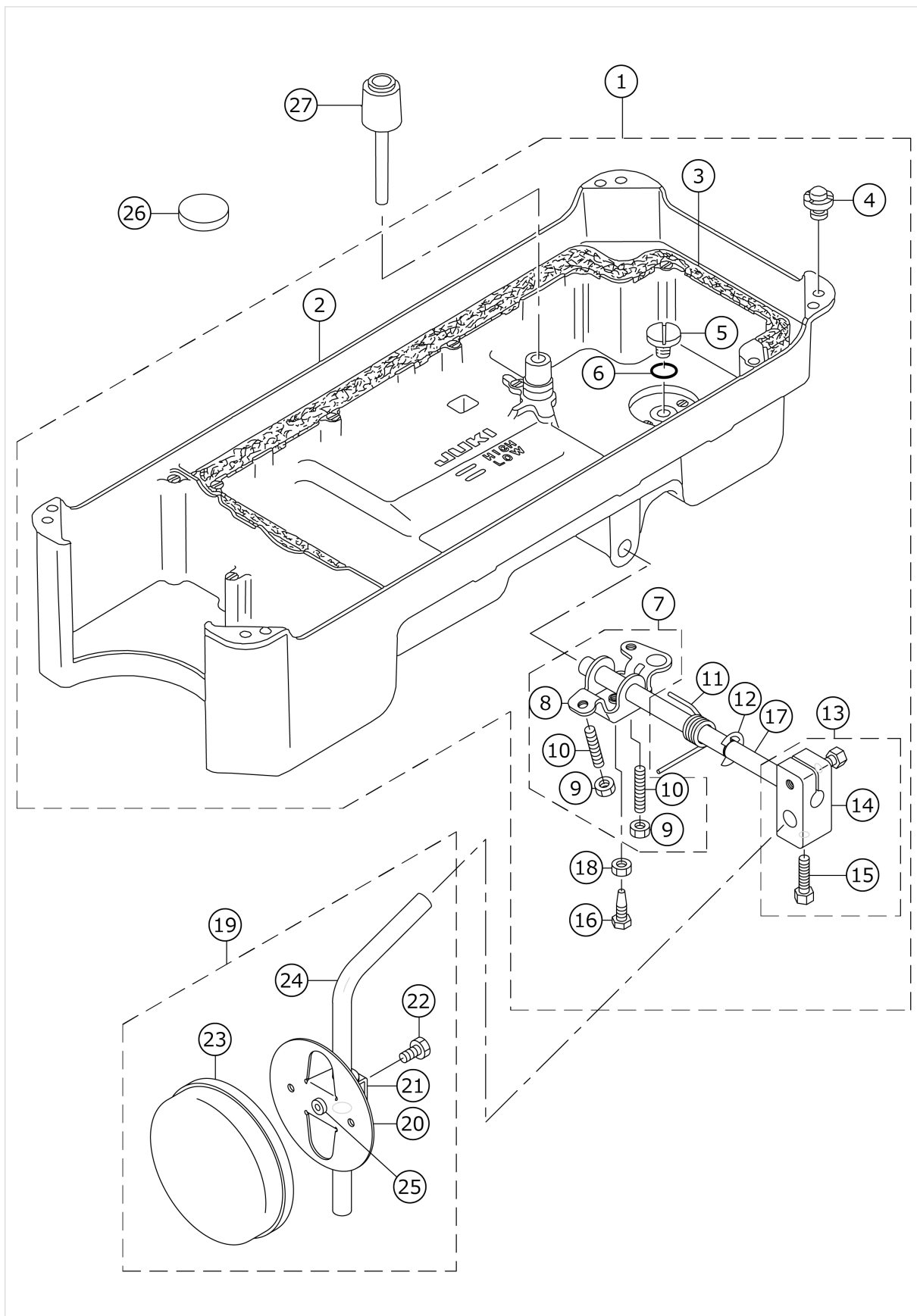
No.	品番	品名	備考	子部品	消耗品	個数
1	11496650	WIPER ASM.				1.00
2	11425907	WIPER COVER		*		1.00
3	SL4030631SC	SCREW M3X6		*		1.00
4	SD0650321TP	HINGE SCREW D=6.5 H=3.2		*		1.00
5	NS6090310SP	NUT 9/64-40		*		1.00
6	22956106	WIPER LINK A		*		1.00
7	11425204	WIPER LINK, B		*		1.00
8	RE0250000K0	E-RING 2.5		*		1.00
9	22956908	WIPER LINK B HINGE SCREW		*		1.00
10	22956205	WIPER HINGE SCREW COLLAR		*		1.00
11	22956304	WIPER SPRING		*		1.00
12	NS6110310SP	NUT 11/64-40		*		1.00
13	22955900	WIPER RUBBER A		*		1.00
14	22956007	WIPER RUBBER B		*		1.00
15	11110301	WIPER SOLENOID		*		1.00
16	22957104	WIPER SOLENOID SHAFT		*		1.00
17	HA006000000	SWITCH		*		1.00
18	HW200390000	ELECTRIC WIRE		*		0.04
19	HW500070000	2-CORE CABTYRE CORD		*		1.33
20	11425055	WIPER BASE ASM.		*		1.00
21	SS8080310TP	SCREW 1/8-44 L=2.8		*		2.00
22	SL4030641SE	SCREW		*		3.00
23	HK03464000B	PIN CONTACT		*		2.00
24	11424801	WIPER		*		1.00
25	SS6090540SP	SCREW 9/64-40 L= 5.0		*		1.00
26	22956809	WIPER COLLAR		*		1.00
27	11424959	WIPER SHAFT ASM.		*		1.00
28	22957203	WIPER LINK COLLAR		*		1.00
29	11429107	SLIDE SPRING		*		1.00
30	11422706	STOPPER SPRING, B		*		1.00
31	11425659	RATCHET ASM.		*		1.00
32	11425451	FOLLOWER ASM.		*		1.00
33	D2121555D00	BRACKET INSTALLING COLLAR				1.00
34	SS6121840SP	SCREW 3/16-28 L=18				1.00

OIL LUBRICATION COMPONENTS



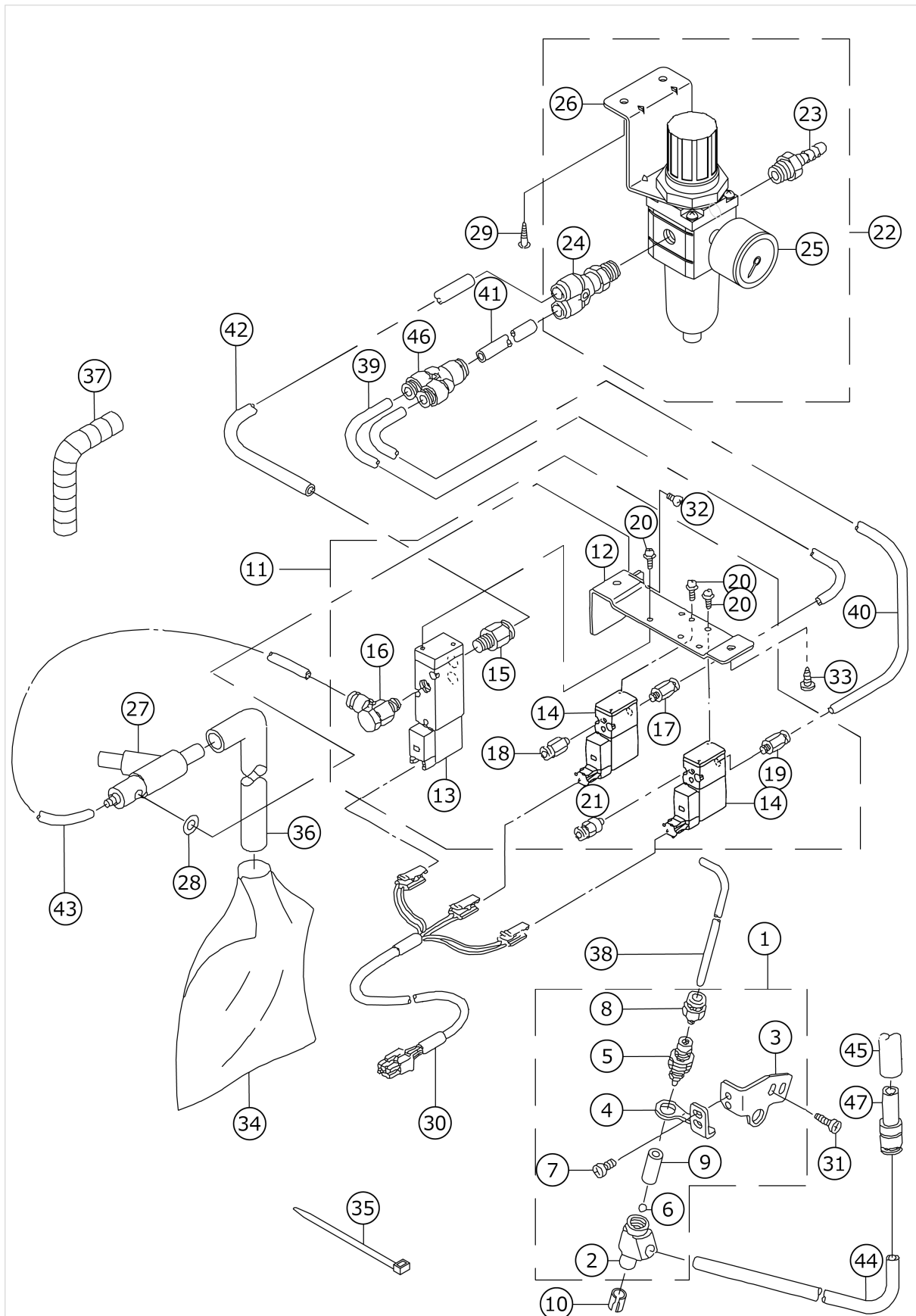
No.	品番	品名	備考	子部品	消耗品	個数
1	22947006	OIL SIGHT WINDOW				1.00
2	RO195240100	RUBBER RING				1.00
3	22924401	MAIN SHAFT OIL TUBE				1.00
4	SS4120615SP	SCREW 3/16-28 L=6				1.00
5	22925101	OIL FELT PRESSER				1.00
6	22924153	RETURN PIPE ASM.				1.00
7	22924302	RETURN PIPE HOLDER		*		1.00
8	CQ252000000	OIL WICK				0.30
9	22925002	OIL REGULATOR SCREW				1.00
10	22924906	OIL REGULATOR SCREW SPRING				1.00
11	11094109	OIL TUBE				1.00
12	11418852	LUBRICATING OIL PUMP ASM.				1.00
13	11418803	ADJUSTING PLATE		*		1.00
14	22923015	OIL PUMP		*		1.00
15	22923700	IMPELLER		*		1.00
16	SE4301041SR	SCREW D=3 L=10		*		3.00
17	22923205	PUMP BODY COVER		*		1.00
18	22923809	PUMP BODY SUPPORT PLATE		*		1.00
19	22923403	PLUNGER		*		1.00
20	22923601	PLUNGER SPRING		*		1.00
21	22923502	PLUNGER SCREW		*		1.00
22	22923908	HOOK DRIVING SHAFT OILING PIPE		*		1.00
23	SL4030851SF	SCREW M3 L=8		*		3.00
24	SS6111010TP	SCREW 11/64-40 L= 9.5				1.00
25	22947105	PUMP BODY STRUT				1.00
26	SS4150915SP	SCREW 15/64-28 L=9				1.00
27	22924609	RUBBER JOINT				1.00
28	WS0451040KP	SPRING WASHER 4.5X8.5X1				1.00
29	WS0651310KP	SPRING WASHER 6.5X11X1.3				1.00
30	EA9500B0100	CABLE BAND				1.00

OIL RESERVOIR COMPONENTS



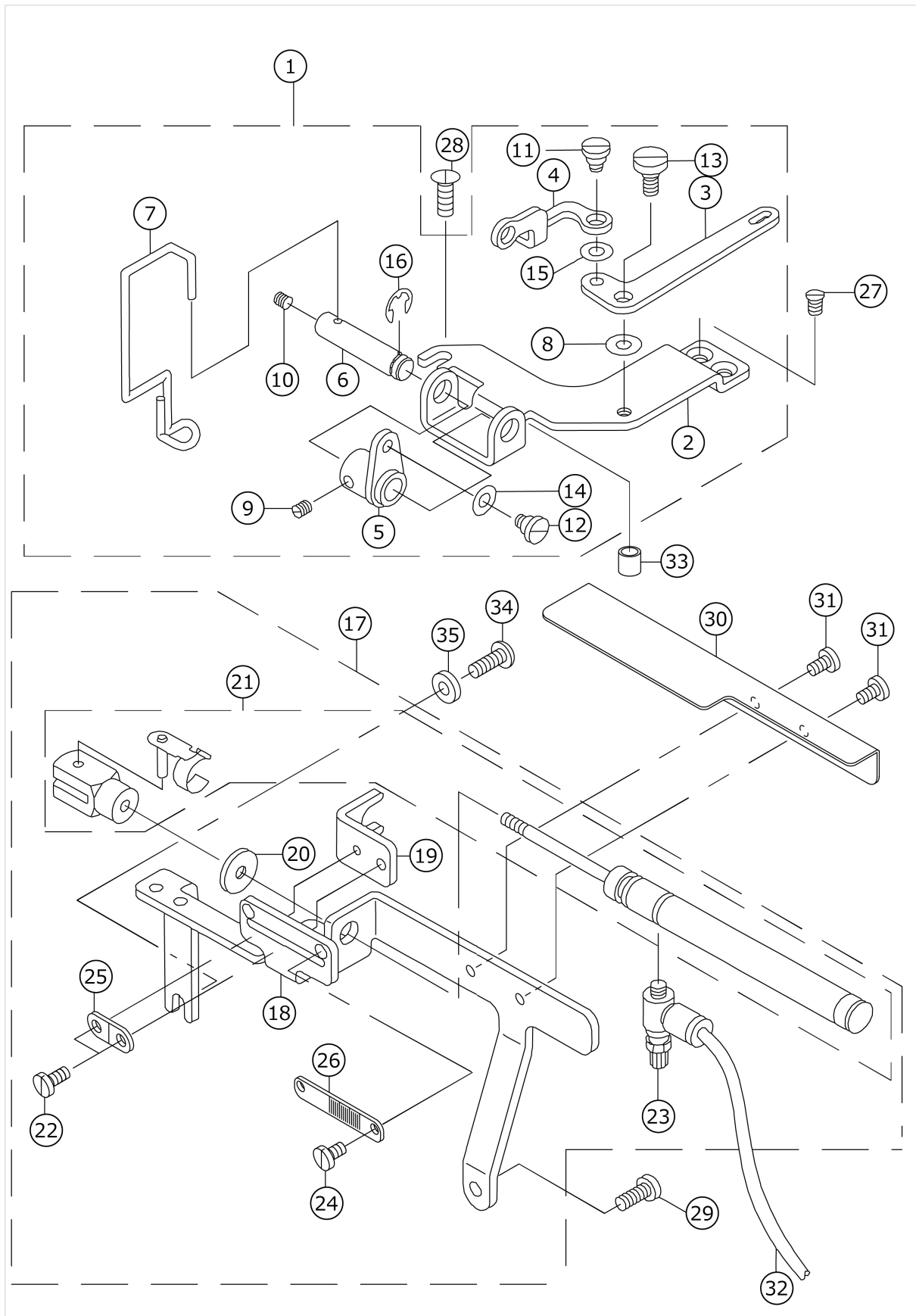
No.	品番	品名	備考	子部品	消耗品	個数
1	11428158	OIL RESERVOIR ASM.				1.00
2	11428109	OIL RESERVOIR		*		1.00
3	11024700	GASKET		*		1.00
4	11047107	RUBBER CUSHION		*		4.00
5	SS6700710SH	SCREW 5/16-24 L=7		*		1.00
6	RO098240100	RUBBER RING		*		1.00
7	22932156	KNEE LIFTER ROTATION ARM ASM.		*		1.00
8	22932107	CONNECTING ROT, VERTICAL		*		1.00
9	NM6060001SE	NUT M6		*		2.00
10	SM8063012TR	SCREW M6 L=30		*		2.00
11	22932206	SPRING		*		1.00
12	RE1000000K0	E-RING 10		*		1.00
13	22932453	BRACKET ASM.		*		1.00
14	22932404	BRACKET		*		1.00
15	22934707	SCREW		*		2.00
16	SM9062563TR	SCREW M6 L=25		*		1.00
17	22932305	KNEE PRESS ROD		*		1.00
18	NM6060001SE	NUT M6		*		1.00
19	22934251	KNEE PAD PLATE ASM.				1.00
20	22934202	KNEE PAD PLATE		*		1.00
21	22934301	KNEE PAD PLATE SUPPORT		*		1.00
22	SM9061203SE	SCREW M6 L=12		*		1.00
23	22934509	KNEE PAD PLATE COVER		*		1.00
24	22934608	KNEE PAD UPRIGHT SHAFT		*		1.00
25	22934400	KNEE PAD PLATE RUBBER		*		1.00
26	B8228125000	OIL RESERVOIR MAGNET				1.00
27	11024304	KNEE PRESS LIFTER ROD				1.00

THREAD HOLDER & AIR COMPONENTS



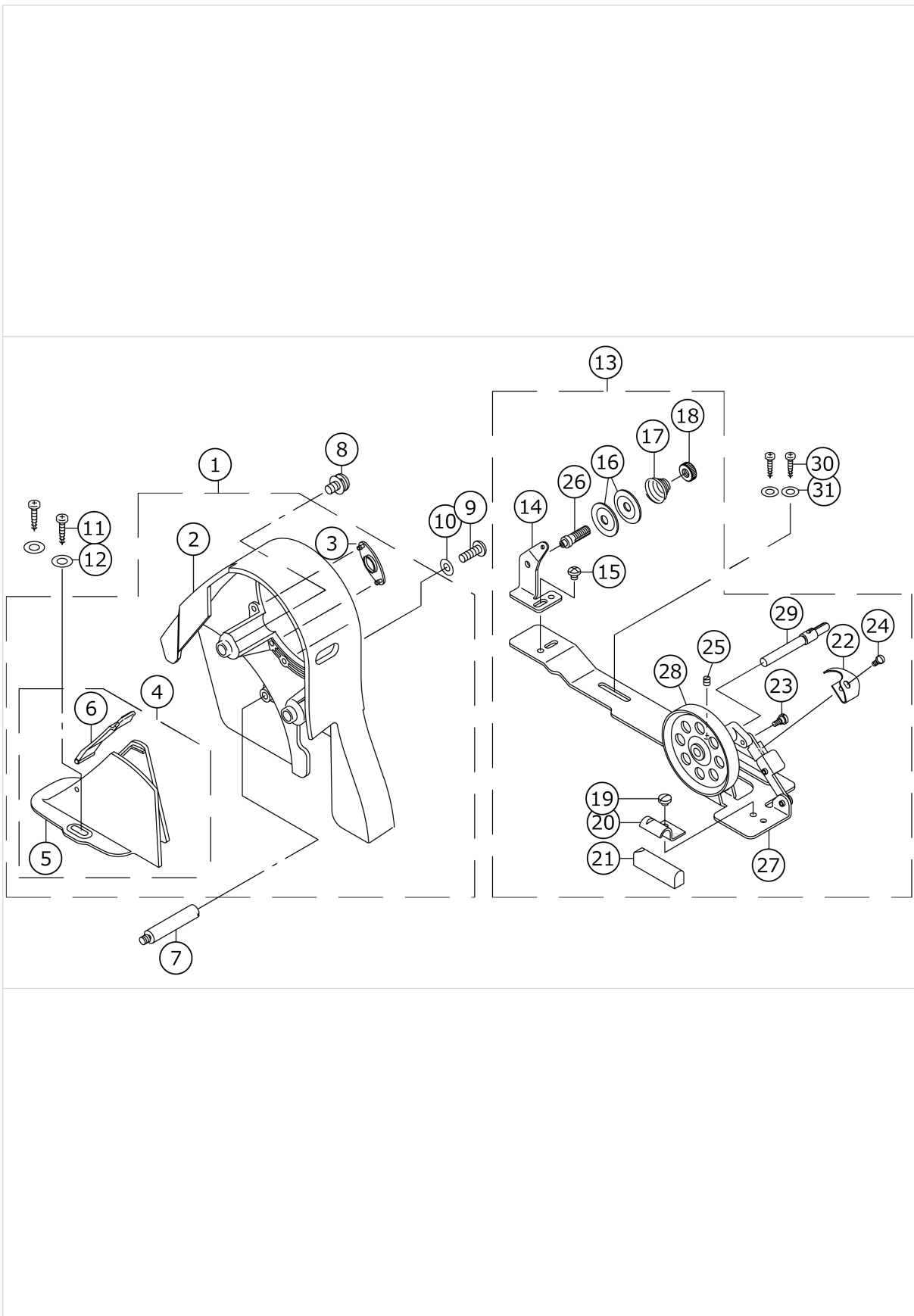
No.	品番	品名	備考	子部品	消耗品	個数
1	11429354	CLAMP HEAD ASM.				1.00
2	11429305	CLAMP HEAD		*		1.00
3	11426103	CLAMP BASE, A		*		1.00
4	11429404	CLAMP BASE, B		*		1.00
5	11429008	CLAMP CYLINDER		*		1.00
6	11428505	CLAMP BALL		*		1.00
7	SS7110710SP	SCREW 11/64-40 L=7		*		2.00
8	PJ301040501	HALF UNION M5 D=4		*		1.00
9	11427705	HEAD BUSH		*		1.00
10	11427309	HEAD COVER				1.00
11	11426368	SOLENOID VALVE ASM.				1.00
12	11426301	SOLENOID VALVE ADJUSTING BASE		*		1.00
13	PV135103000	3-PORT SOLENOID VALVE		*		1.00
14	PV130524000	3 PORT SOLENOID VALVE		*		2.00
15	PJ301085102	JOINTING		*		1.00
16	PJ304085103	SWING ELBOW		*		1.00
17	PJ301060501	UNION		*		1.00
18	PJ301040501	HALF UNION M5 D=4		*		1.00
19	PJ301060501	UNION		*		1.00
20	SL4030881SF	SCREW M3 L=8		*		6.00
21	PJ301040501	HALF UNION M5 D=4		*		1.00
22	11427960	AIR FILTER ASM.				1.00
23	PJ032526001	HOSE NIPPLE		*		1.00
24	PJ308085201	Y-UNION		*		1.00
25	40003560	REGULATOR ASM.		*		1.00
26	PF902005000	REGULATOR BRACKET		*		1.00
27	F10120030A0	NOZZLE ASM.				1.00
28	B1155771000	CUSHION				1.00
29	SK3412000SC	WOOD SCREW D=4.1 L=20				2.00
30	11496759	SOLENOID VALVE CORD ASM.				1.00
31	SS7110840SP	SCREW 11/64-40 L=7.8				2.00
32	SS4110715SP	SCREW 11/64-40 L=7				1.00
33	SK3412000SC	WOOD SCREW D=4.1 L=20				2.00
34	11428802	DUST BAG				1.00
35	HX00292000A	CONNECTING PART				1.00
36	BT1601001Z0	TUBE				0.30
37	HX00307000C	CABLE CLAMP				0.50
38	BT0400251EB	URETHANE HOSE, BLACK				1.40
39	BT0600401EB	TUBE				0.20
40	BT0600401EB	TUBE				0.20
41	BT0800501EB	VINYL TUBE				0.10
42	BT0800501EB	VINYL TUBE				0.30
43	BT0600401EB	TUBE				0.10
44	BT0800501EB	VINYL TUBE				1.30
45	BT1601001Z0	TUBE				0.10
46	PJ308080001	UNION, Y				1.00
47	PJ301080001	REDUCER				1.00

THREAD HAUL COMPONENTS



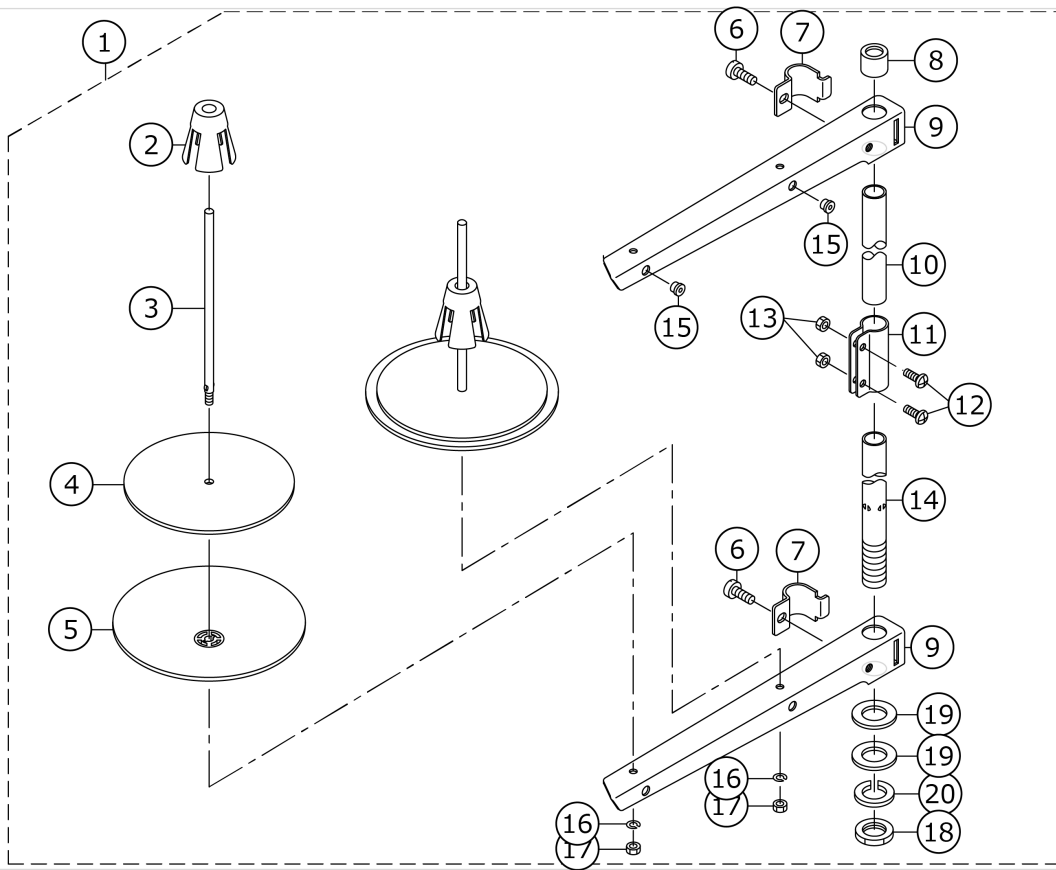
No.	品番	品名	備考	子部品	消耗品	個数
1	11426657	THREAD HAUL BASE ASM.				1.00
2	11426608	THREAD HAUL BASE		*		1.00
3	11427101	THREAD HAUL CONNECTING LINK, A		*		1.00
4	11427200	THREAD HAUL CONNECTING LINK, B		*		1.00
5	11426855	THREAD HAUL LEVER ASM.		*		1.00
6	11426707	THREAD HAUL SHAFT		*		1.00
7	11427002	THREAD HAUL WIRE		*		1.00
8	WP0482086SD	WASHER 4.8X11.5X2		*		1.00
9	SS8110520SP	SCREW 11/64-40 L=5		*		2.00
10	SS8110422TP	SCREW 11/64-40 L=4		*		1.00
11	SD0640321SP	HINGE SCREW D= 6.35 H= 3.2		*		1.00
12	SD0640321SP	HINGE SCREW D= 6.35 H= 3.2		*		1.00
13	SD0600291TP	HINGE SCREW D=6 H=2.9		*		1.00
14	WP0501016SA	WASHER 5X10.5X1		*		1.00
15	WP0501016SA	WASHER 5X10.5X1		*		1.00
16	RE0600000K0	E-RING 6		*		1.00
17	11428455	CYLINDER ASM.				1.00
18	11428406	HAUL THREAD CYLINDER PLATE		*		1.00
19	11428307	HAUL THREAD STOPPER		*		1.00
20	B1620487000	FEED CONNECTING PIN WASHER		*		1.00
21	PA1003018B0	AIR CYLINDER (Y KNUCKLE)		*		1.00
22	SM9041050SC	SCREW M4X0.7 L=10		*		2.00
23	PC010510000	SPEED CONTROLLER		*		1.00
24	SS6080320SP	SCREW 1/8-44 L= 2.5		*		2.00
25	11428000	THREAD HAUL ADJUSTING PLATE		*		1.00
26	11427804	THREAD HAUL SCALE PLATE		*		1.00
27	SS1110710SP	SCREW 11/64-40 L=7				2.00
28	SS4121415SP	SCREW 3/16-28 L=14				1.00
29	SS6121220TP	SCREW 3/16-28 L=11.5				1.00
30	11427606	THREAD HAUL CYLINDER COVER				1.00
31	SS6110480SP	SCREW 11/64-40 L=4.3				2.00
32	BT0400251EB	URETHANE HOSE, BLACK				1.20
33	D2114555B00	BRACKET INSTALLING COLLAR				1.00
34	SS4121415SP	SCREW 3/16-28 L=14				1.00
35	WP0502616SD	WASHER				1.00

BELT COVER & BOBBIN WINDER COMPONENTS



No.	品番	品名	備考	子部品	消耗品	個数
1	11076650	BELT COVER ASM. (URBANE GREY)				1.00
2	11076601	BELT COVER A		*		1.00
3	11076700	BELT COVER A CAP		*		1.00
4	11076858	BELT COVER B ASM.		*		1.00
5	11076809	BELT COVER B		*		1.00
6	11076957	BELT COVER B CAP ASM.		*		1.00
7	11023504	BELT COVER SUPPORT, A				1.00
8	11025202	BELT COVER A SCREW				2.00
9	SS4121415SP	SCREW 3/16-28 L=14				1.00
10	WP0501016SD	WASHER 5X10.5X1				1.00
11	SK3412000SC	WOOD SCREW D=4.1 L=20				2.00
12	WP0450826SC	WASHER 4.5X10X0.8				2.00
13	22927354	WOOD SCREW D=4.1 L=20				1.00
14	22928501	BOBBIN WINDER COMPL.		*		1.00
15	SS4110515SP	THREAD TENSION BRACKET ASM.		*		1.00
16	22928907	SCREW 11/64-40 L=7.8		*		2.00
17	22929004	THREAD TENSION DISK		*		2.00
18	22928808	THREAD TENSION SPRING		*		1.00
19	SS7110350SP	THREAD TENSION NUT		*		1.00
20	22928402	SCREW 11/64-40 L=5		*		1.00
21	22928303	PRESSER PLATE		*		1.00
22	22928105	RUBBER BRAKE		*		1.00
23	SD0490261SP	HINGE SCREW D=4.9 H=2.6		*		1.00
24	SS7081310SP	SCREW 1/8-44 L=12.5		*		1.00
25	SS8110510SP	BOBBIN BASE		*		1.00
26	22928709	BOBBIN PULLEY		*		1.00
27	22927305	BOBBIN WINDER POST		*		1.00
28	22927404	SCREW M4X0.7 L=5		*		1.00
29	22927602	WASHER 4.8X8.4X0.8		*		1.00
30	SK3412000SC	WOOD SCREW D=4.1 L=20				2.00
31	WP0450826SC	WASHER 4.5X10X0.8				2.00

THREAD STAND COMPONENTS



No.	品番	品名	備考	子部品	消耗品	個数
1	22930358	THREAD STAND ASM.				1.00
2	22931109	SPOOL RETAINER		*		2.00
3	22931000	SPOOL PIN		*		2.00
4	22930903	SPOOL REST CUSHION		*		2.00
5	22930804	SPOOL REST		*		2.00
6	SM6061610SC	SCREW M6 L=16		*		2.00
7	22930705	THREAD GUIDE ARM JOINT		*		2.00
8	22931406	SPOOL REST ROD RUBBER CAP		*		1.00
9	22930507	SPOOL REST ARM		*		2.00
10	22930408	SPOOL REST ROD, UPPER		*		1.00
11	22931307	SPOOL REST ROD JOINT		*		1.00
12	SM4051405SE	SCREW M5 L=14		*		2.00
13	NM6050001SE	NUT M5		*		2.00
14	22930309	SPOOL REST ROD, LOWER		*		1.00
15	22931208	THREAD GUIDE		*		2.00
16	WS0510002KN	SPRING WASHER		*		2.00
17	NM6050001SE	NUT M5		*		2.00
18	NM6160511SE	NUT M16X1.5		*		1.00
19	WP1612616SE	WASHER 16X30X2.6		*		2.00
20	WS1643202KR	SPRING WASHER		*		1.00

HOW TO MAKE USE OF THIS PARTS LIST

1.Explanation of codes

1)"*"mark.....means this part is changed from the previous parts book.

As to the details of the change, refer to the "List for information of change".

2)"#01".....refer to "Note" explanation at bottom of page.

2.Codes on the "Qty" column

· Each numeral indicates the number of parts required.

· "0.1" and "2.5" indicate the length (in meters) of the respective parts.

3.Parentheses mean that the corresponding part is a subpart that constructs an assembly part.

4.Dotted lines on the Figures indicate assembly parts.

1."注記"欄の記号説明

1) "*"印.....前回のパーツブックに比較して今回変更された部品を意味します。

変更内容は、"変更情報リスト"を参照してください。

2) "#01".....ページ下の"注記"の説明を参照してください。

2.数量欄の数字は、個数を表し、0.1、2.5等の数値は、長さ（単位メートル）を表します。

3.数量欄の（ ）は、組部品を構成している子部品であることを意味します。

4.イラストページの-----枠は、組構成であることを意味します。